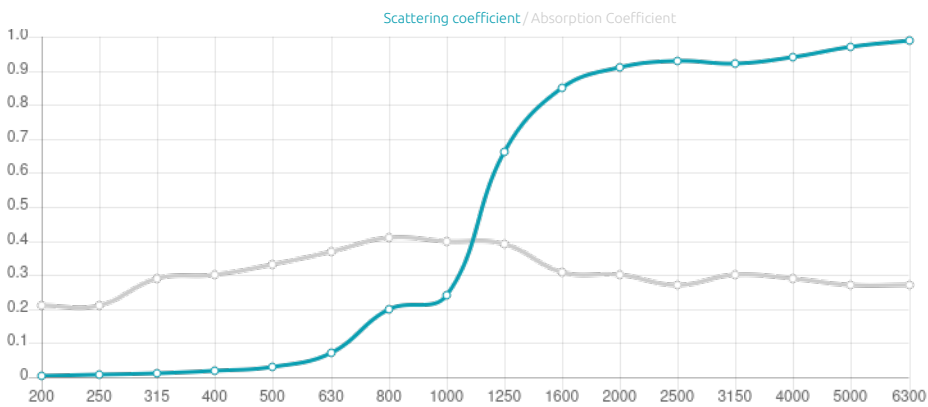




Performance



Features

Type: 1D - Geometric Diffuser

Scattering range: 900 Hz to 6000 Hz

Available fire rate:
FG | Furniture Grade

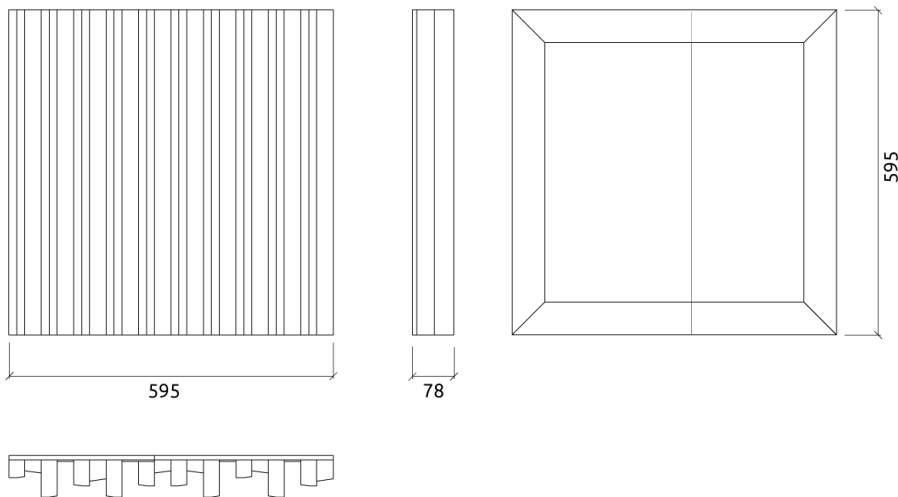
Materials:
- Natural wood | Lacquered wood
- Solid wood

Integrated fixing system already incorporated on the panel.

Dimensions:

FG - LW | 595x595x78mm | 11.44 Kg
FG - NW | 595x595x78mm | 11.26 Kg

Technical Information



Arvon W Diffuser begins scattering at 900 Hz and goes up to 6000 Hz, providing a more uniform sound field through mid and high frequency diffusion. Made of wood from a sustainable source, and available in 4 colours, Arvon has a furniture grade quality, becoming an exquisite diffuser that will fit nicely in your home cinema or living room. Optimised through an Artnovion design technique, you can carry 2 units per box by clicking them into each other, and fitting them together as a single unit.



Product finishes

(FG - LW) Lacquered Wood Finishes



FG | (L01) Blanc



FG | (L02) Noir



FG | (L03) Rouge



FG | (L05) Silver



FG | (L06) Noir
Vintage



FG | (L07) Graphite
Black



FG | (L08) Rose Gold



FG | (L09) Classic
Gold



FG | (L10) Bronze

(FG - NW) Natural Wood Finishes



FG | (W04) Fagus

Purpose

- Improving low frequency response
- Flutter echo control
- Specular reflection control
- Enlarging sweet spot

Recommended for

- Hi-Fi Listening Room
- Media Room
- Home Cinema